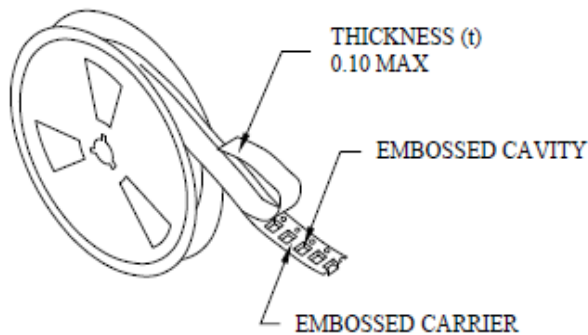
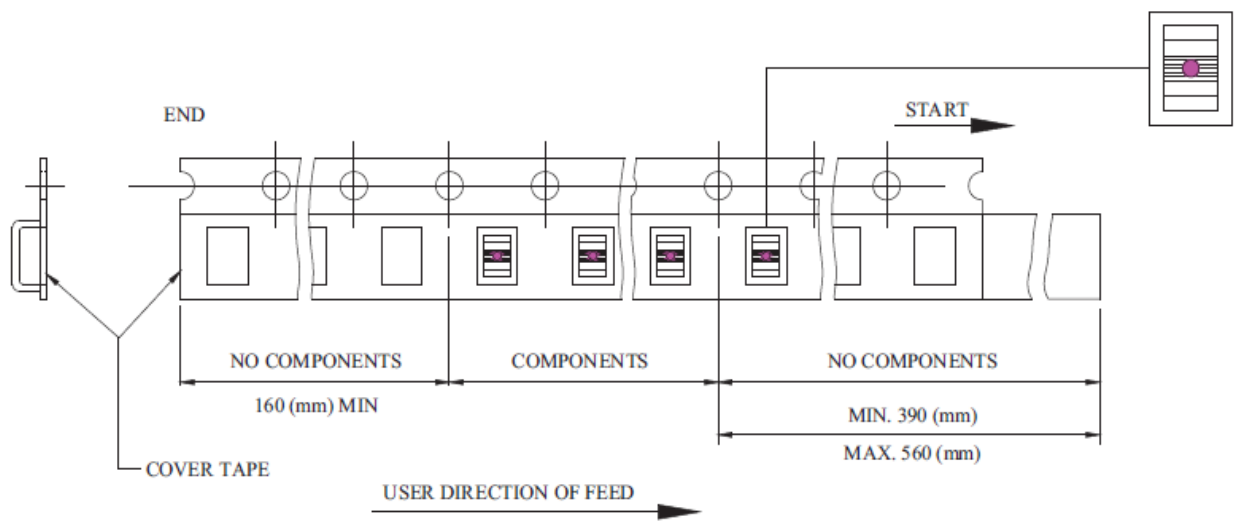
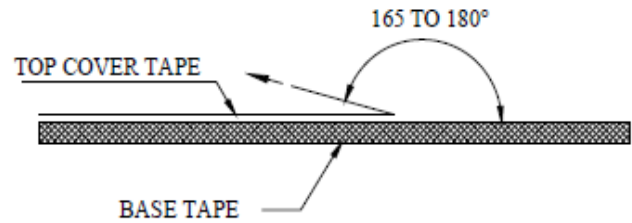


Packaging Information

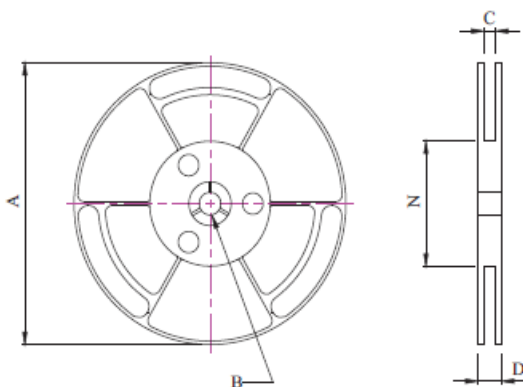


- THE FORCE FOR TEARING OFF COVER TAPE IS 10 TO 100 GRAMS IN THE ARROW DIRECTION.

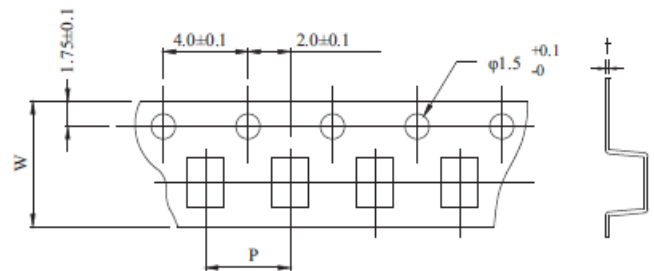


■ CARRIER TAPE REELS (mm)

MATERIAL: PLASTIC



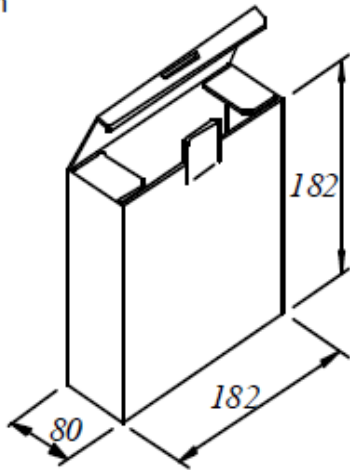
■ DIMENSIONS OF CARRIER TAPE (mm)



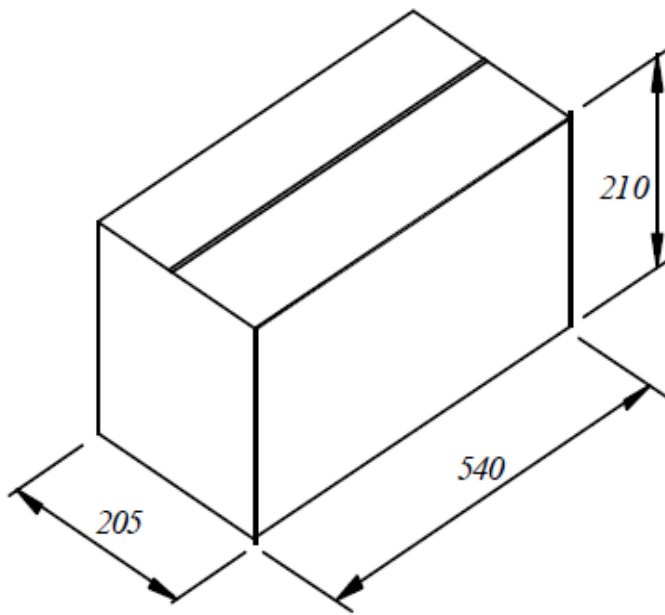
UNIT:mm

	A	B	C	D	N	P	W	t
DIM.	178	13.0	8.4	12.5	50	4.0	8.0	0.25
TOL.	±2.0	±0.8	-	-	MIN	±0.1	±0.2	±0.05

UNIT: mm



- CONSTRUCTION:
A BOX CONTAINS 5 REELS
QTY:3000/REEL
15000/BOX



TOTAL QTY : 90,000 PCS/CARTON